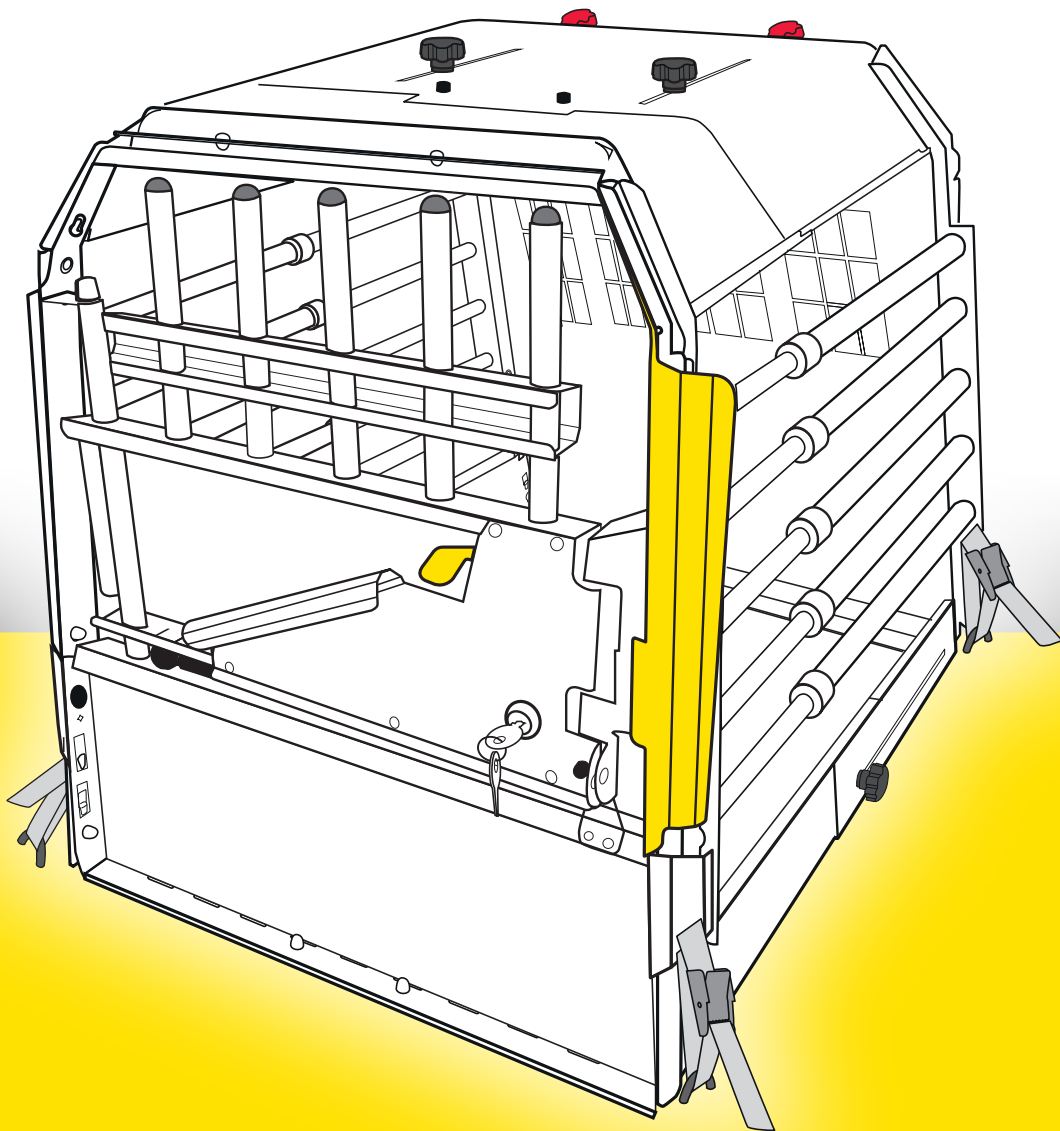


mimSAFE

www.mimsafe.com



ASSEMBLY INSTRUCTIONS

VARIOCAGE compact single

GENERAL

VarioCage is made for transport of dogs in vehicle. The VarioCage is made of splinter proof and energy absorbing materials. The telescopic construction maximizes the space for your dog. The Built-in deformation zone reduces the risk of back, neck and head injuries to the rear seat passengers in case of accident. VarioCage has undergone rigorous crash tests. It's design-protected and made of galvanized steel painted with a very weather-

resistant polyurethane paint suitable for its use. Shockproof in all directions, VarioCage is crash-tested for frontal collision situations, rear-end collision and roll over, which is world-unique. The product comes with straps for easy installation. Lockable door with gas spring helps holding the door open when needed.



IMPORTANT

BEFORE YOU BEGIN

Ensure that you work on a flat surface. If the VarioCage is assembled indoors, protect the floor with a blanket or carpet to avoid damage during assembly. Read the instruction carefully before you begin, it gives you a better understanding when you work step by step during the assembly. You can assemble the VarioCage by yourself, but it helps a lot to be two during some of the assembly steps.

RECOMMENDED AREA OF USE

VarioCage should be installed behind the rear seat of the car.

CRASH TEST

This model is crash tested at Rise Research Institutes of Sweden AB. VarioCage is crash tested according to the SPCT (SafePetCrateTest) method making it the market's safest dog cage for SUV, estate and hatchback cars with the cage installed against the rear set. The crash pulse used is according to ECE Regulation No. 17. Test protocol is available from the manufacturer on request.

DAILY INSPECTION

- Make sure the VarioCage is intact
- That there's no sharp edges
- That the door lock works
- Check that it is attached to the vehicle's cargo loops

CLEANING

Use a soft cloth with water and mild soap.

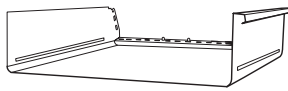
The story of MIMsafe

For more than 30 years, MIMsafe has worked with functional design and manufacturing of safety products for the modern automotive industry. With documentation from hundreds of crash tests and in close collaboration with the major car manufacturers, safe products have been developed and transformed into knowledge. Under the well-known brand name MIMsafe, we have become the leading manufacturer of crash tested and crush proofed non-whiplash dog cages all over the world.

MANUFACTURER

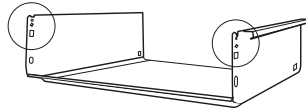
MIM Construction AB
Kardanvägen 80
461 38 Trollhättan
Sweden

+46 10 55 00 450
info@mimsafe.com
www.mimsafe.com



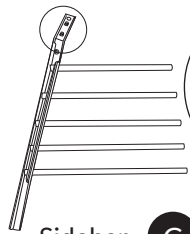
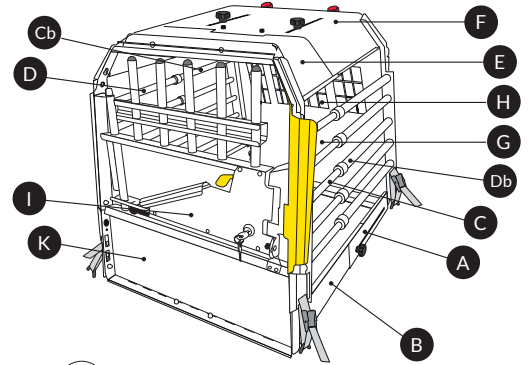
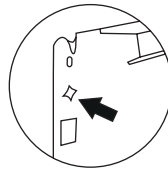
A Floor Rear

00367 00368	1X
Product no	No of items



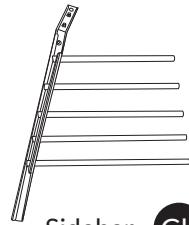
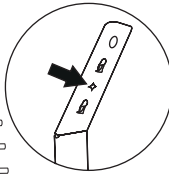
B Floor Front

00367 00368	1X
Product no	No of items



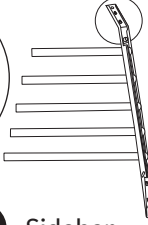
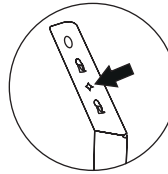
C Sidebar

00367 00368	1X
Product no	No of items



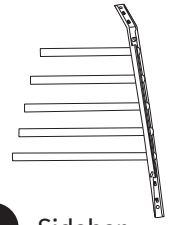
Cb Sidebar

00367 00368	1X
Product no	No of items



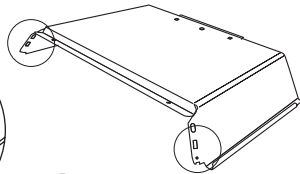
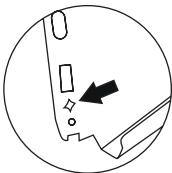
D Sidebar

00367 00368	1X
Product no	No of items



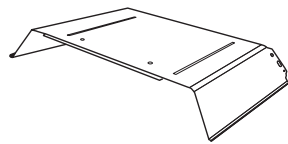
Db Sidebar

00367 00368	1X
Product no	No of items



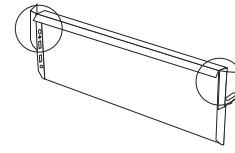
E Roof Front

00367 00368	1X
Product no	No of items



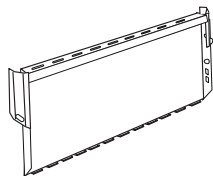
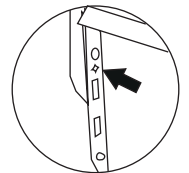
F Roof Rear

00367 00368	1X
Product no	No of items



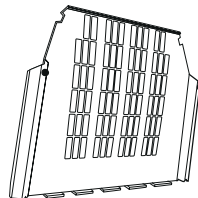
L Lower Panel Front

00367 00368	1X
Product no	No of items



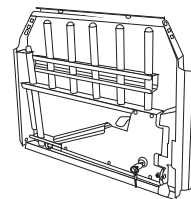
G Lower Panel Rear

00367 00368	1X
Product no	No of items



H Escape Hatch

00367 00368	1X
Product no	No of items



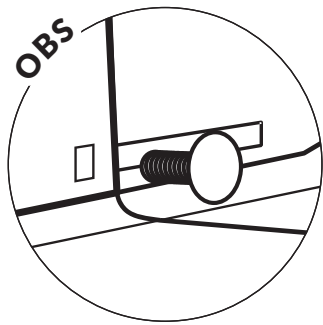
I Door Section




00367 00368	1X
Product no	No of items

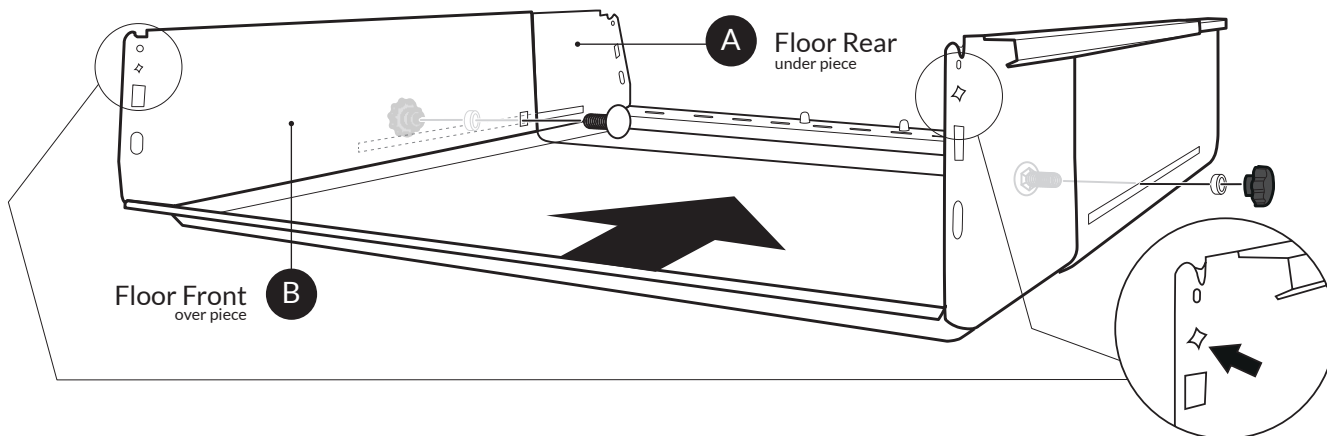
ASSEMBLY KIT IS DIMENSIONED FOR THE LARGEST CAGE, FOR SMALLER CAGES YOU HAVE MORE PARTS THAN YOU NEED

<p>M-460641D 5X</p> <p>rubber</p>	<p>M-SM6X14IA 18X</p>	<p>M-SM6X12 4X</p>	<p>M-460641AQ 2X</p> <p>red</p>	<p>ALLEN KEY 4 1X</p>	<p>M-460641AY 10X</p> <p>rubber end caps</p>	<p>M-460641BA 10X</p> <p>plastic end caps</p>
<p>M-R3015M5S 4X</p>	<p>M-B1646,2SLD 4X</p> <p>Ø13mm</p> <p>plastic</p>	<p>M-VBM5X16 4X</p>	<p>M-10240 4X</p>			

STEP
1



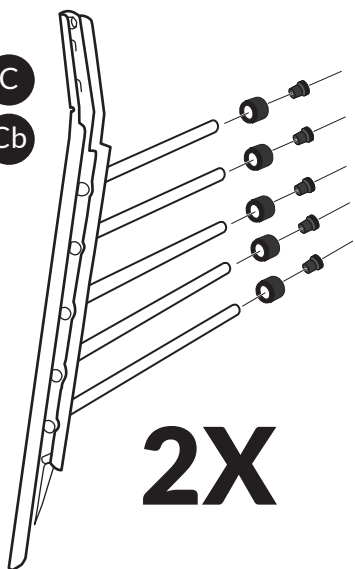
M-R3015M5S 2X 	M-B1646,2SLD 2X Ø13mm plastic 	M-VBM5X16 2X 
---	--	--



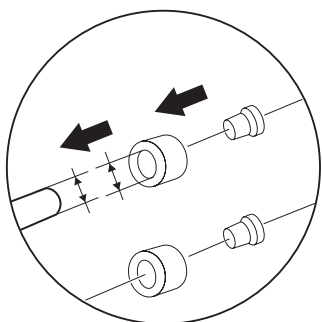
STEP
2



Sidebar (C)

Sidebar (Cb)



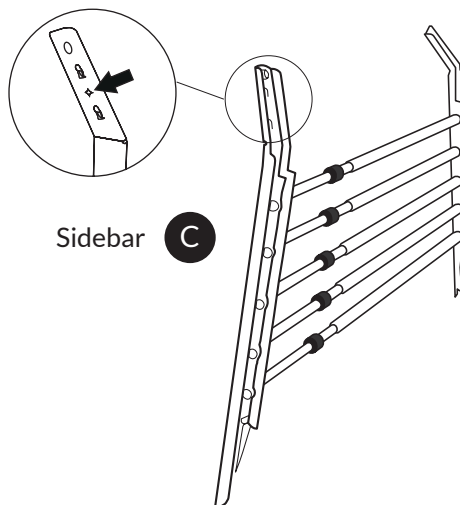
2X



M-460641AY  10X rubber end caps	M-460641BA  10X plastic end caps
---	--

STEP
3

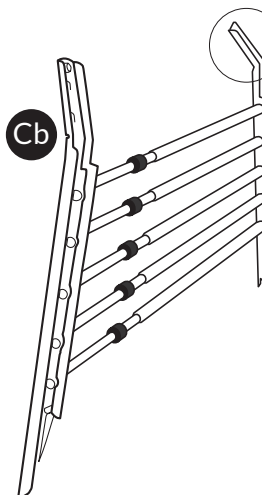
(Db) Sidebar



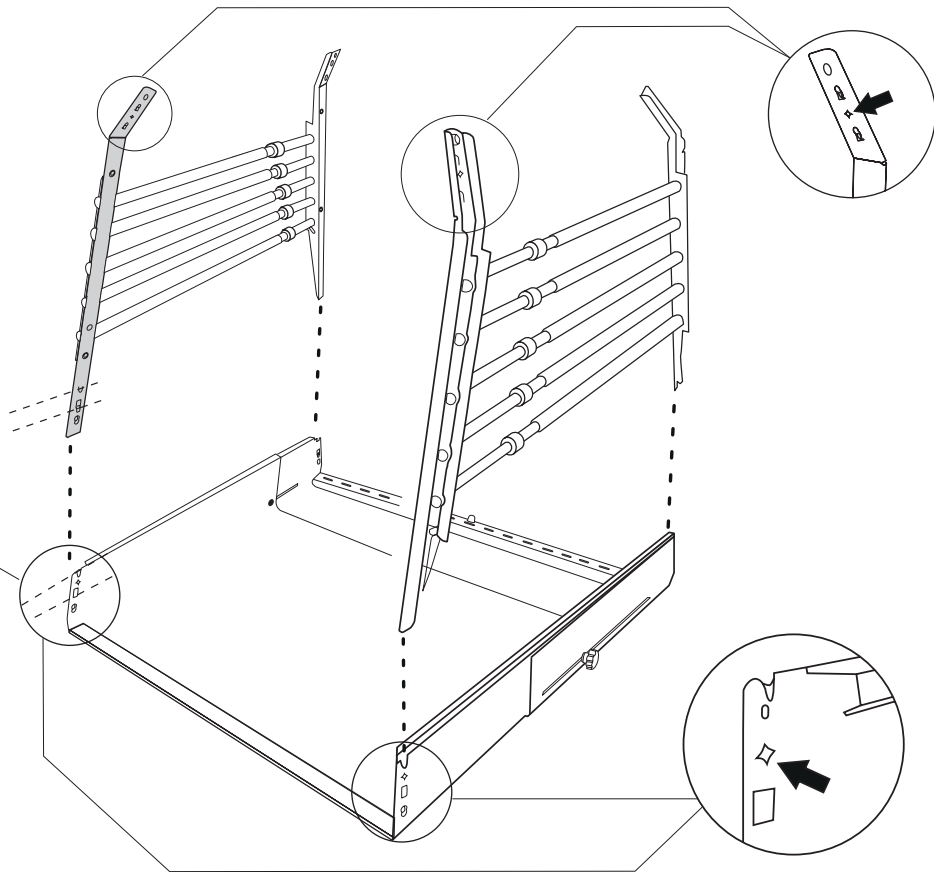
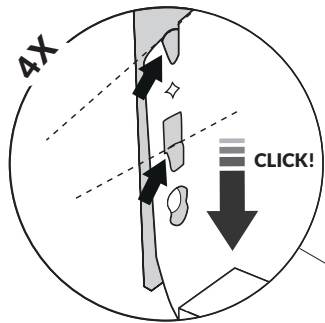
Sidebar (C)

Sidebar (Cb)

(D) Sidebar

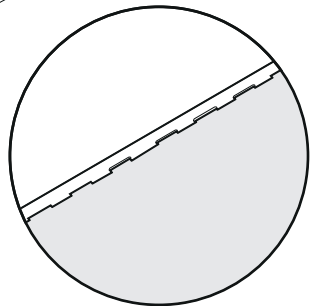
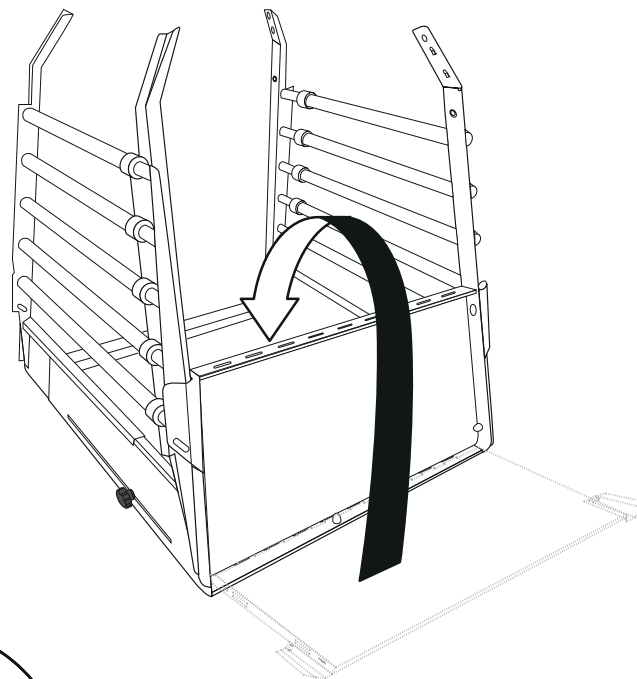
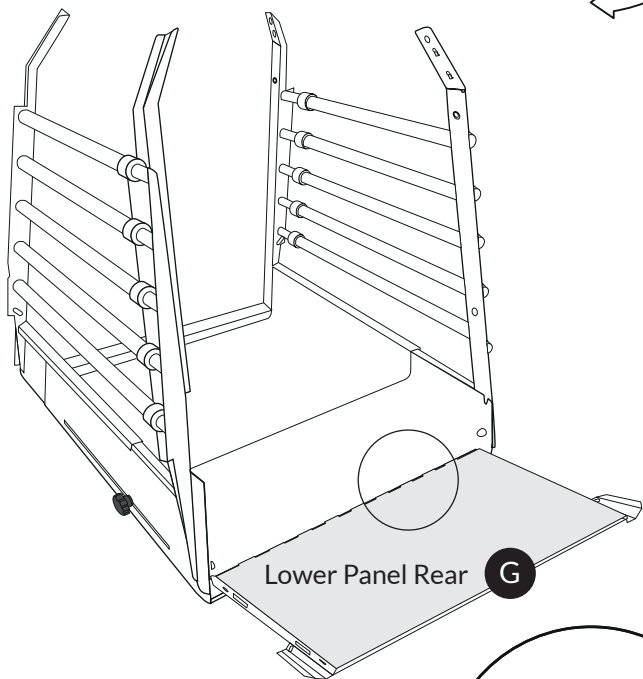


STEP
4

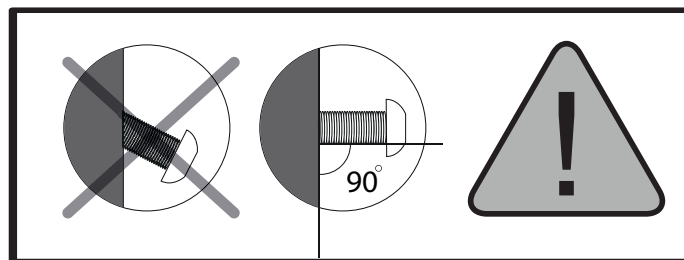
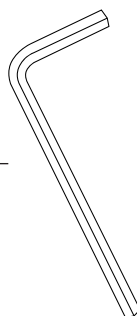
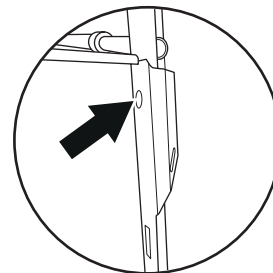


STEP
5

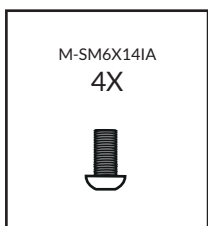
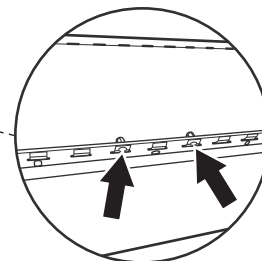
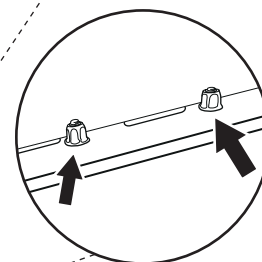
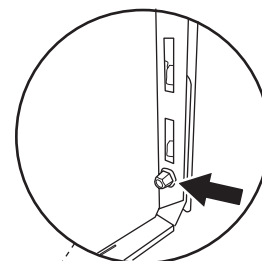
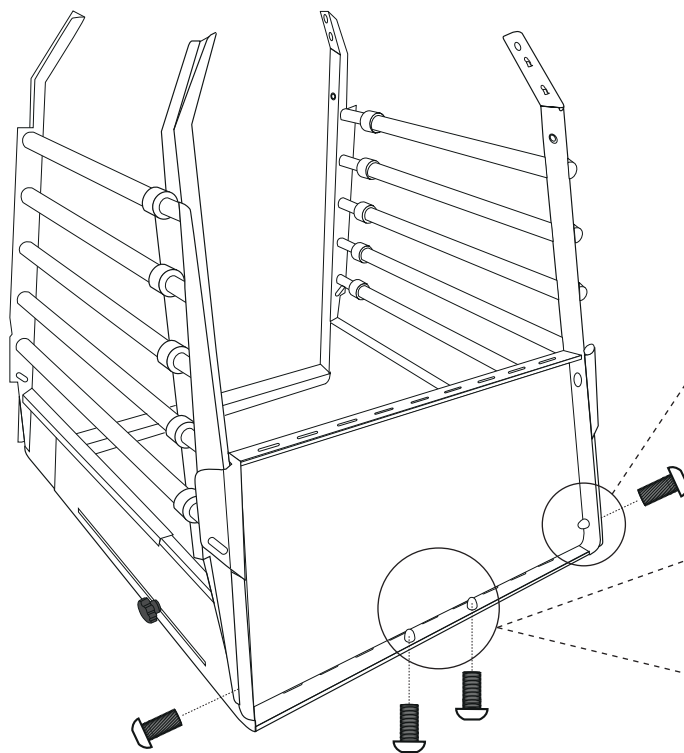
180°



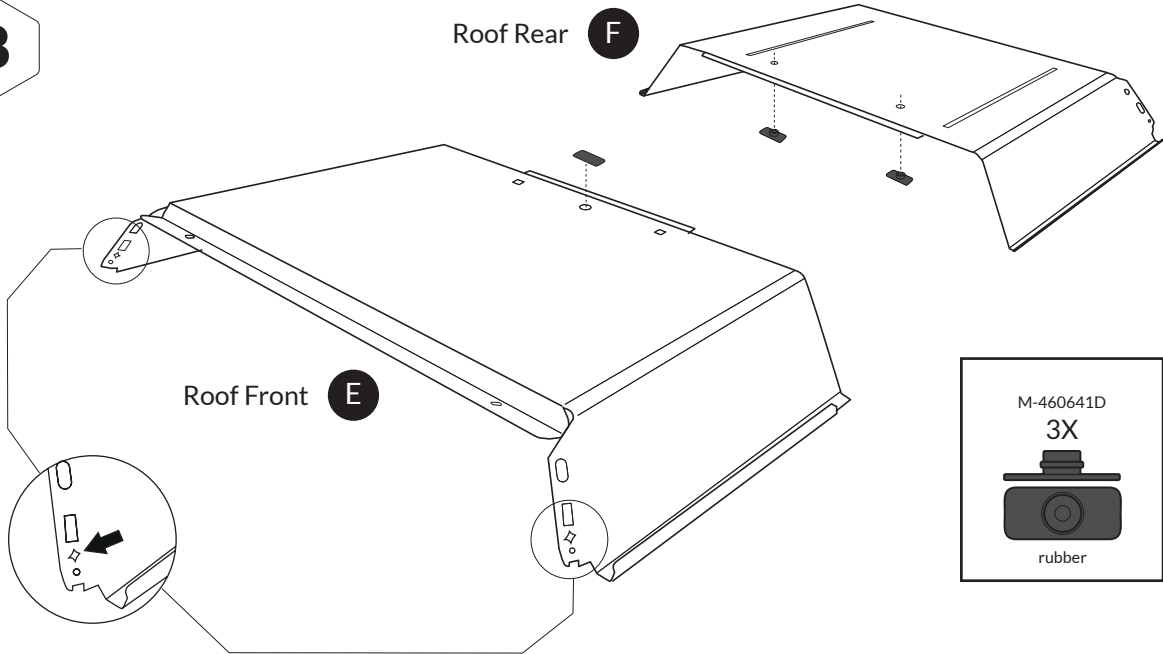
STEP
6



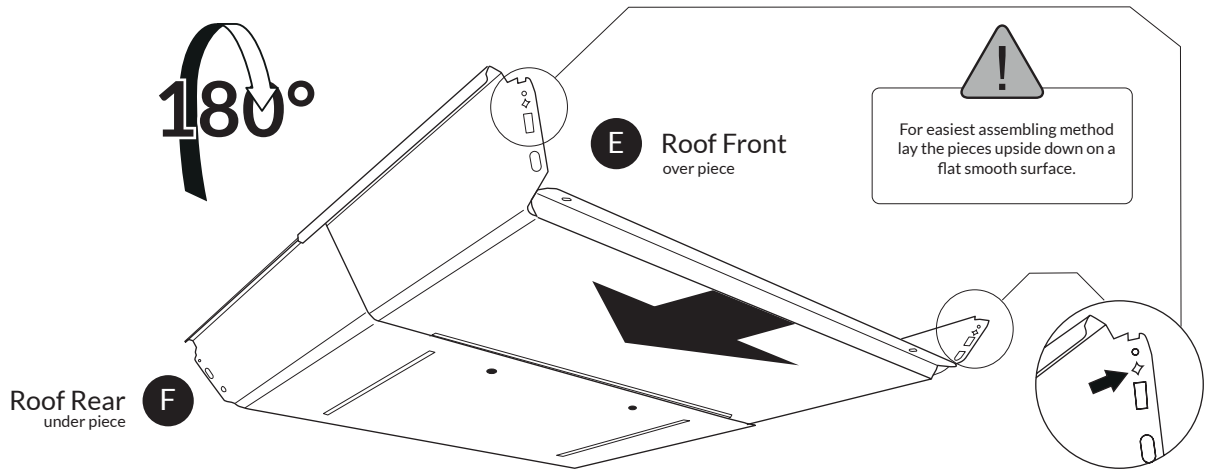
STEP
7



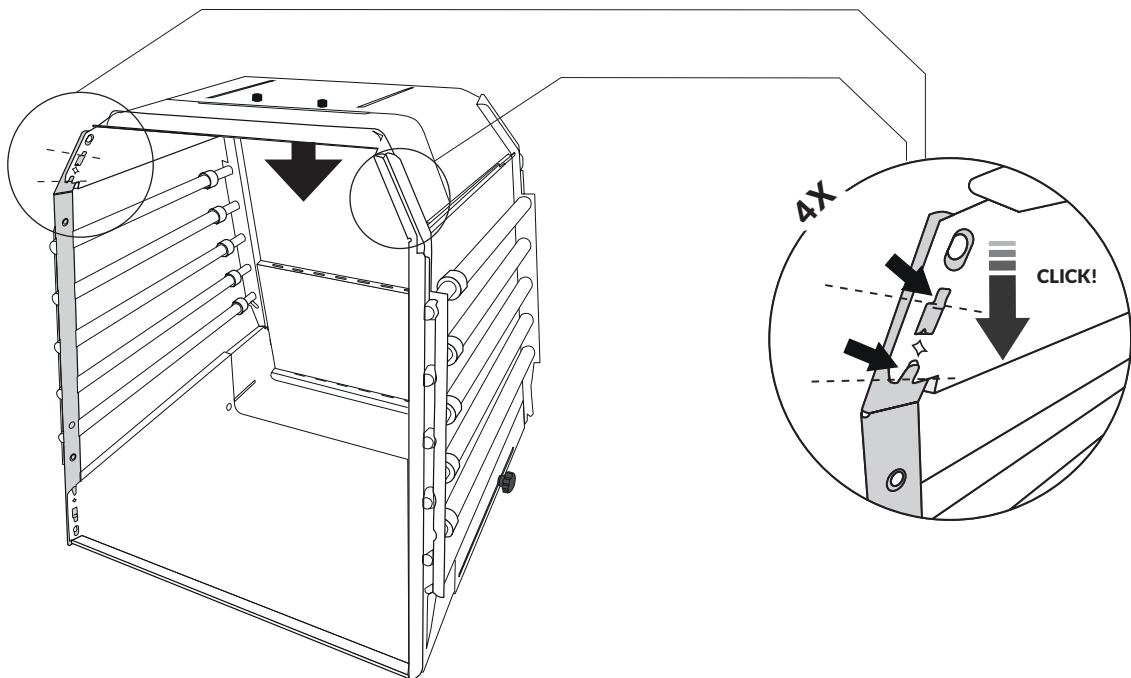
STEP
8



STEP
9


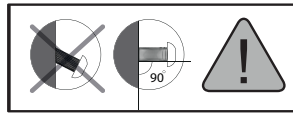
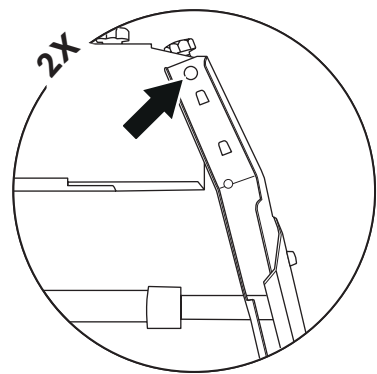
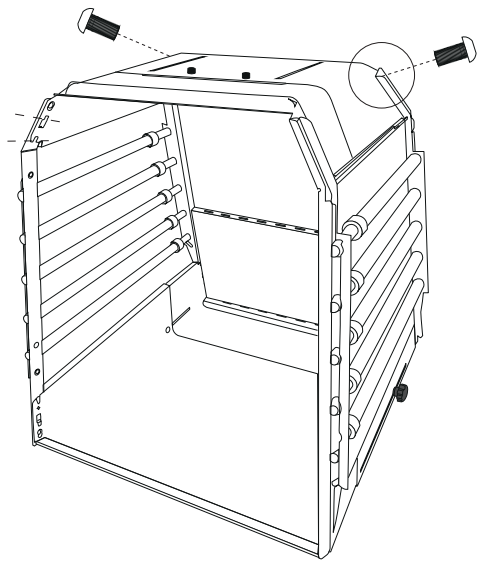


STEP
10

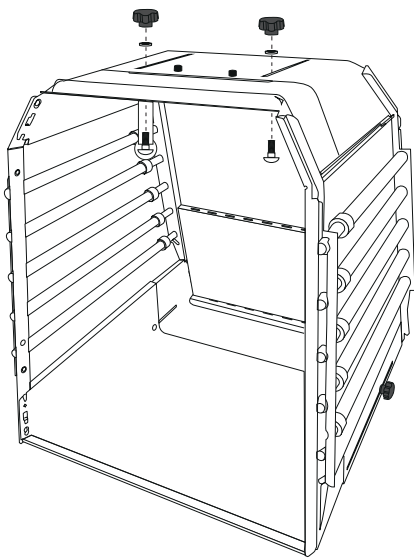





STEP
11

M-SM6X14IA
2X






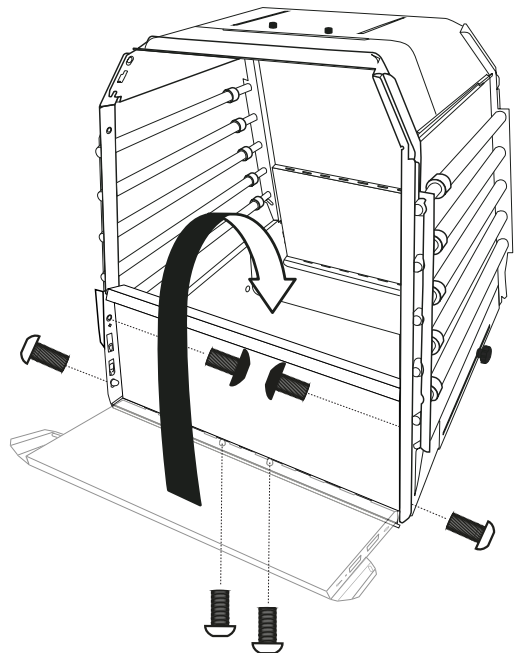
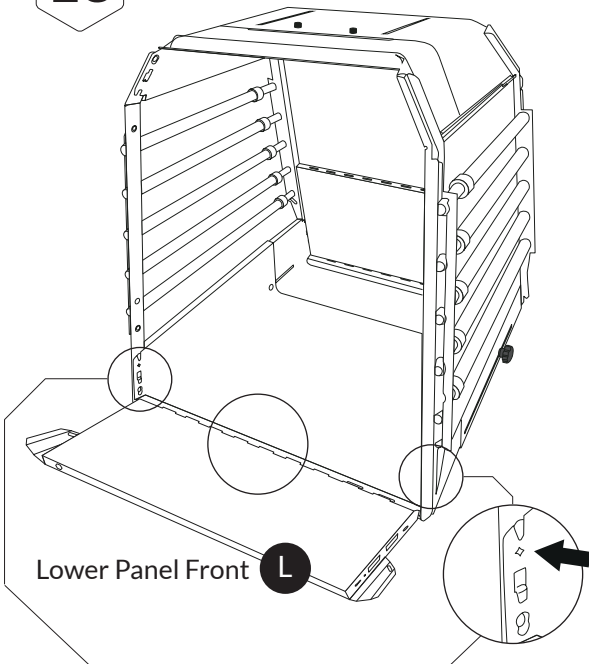
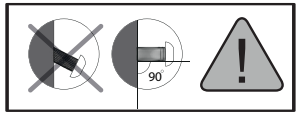
STEP
12



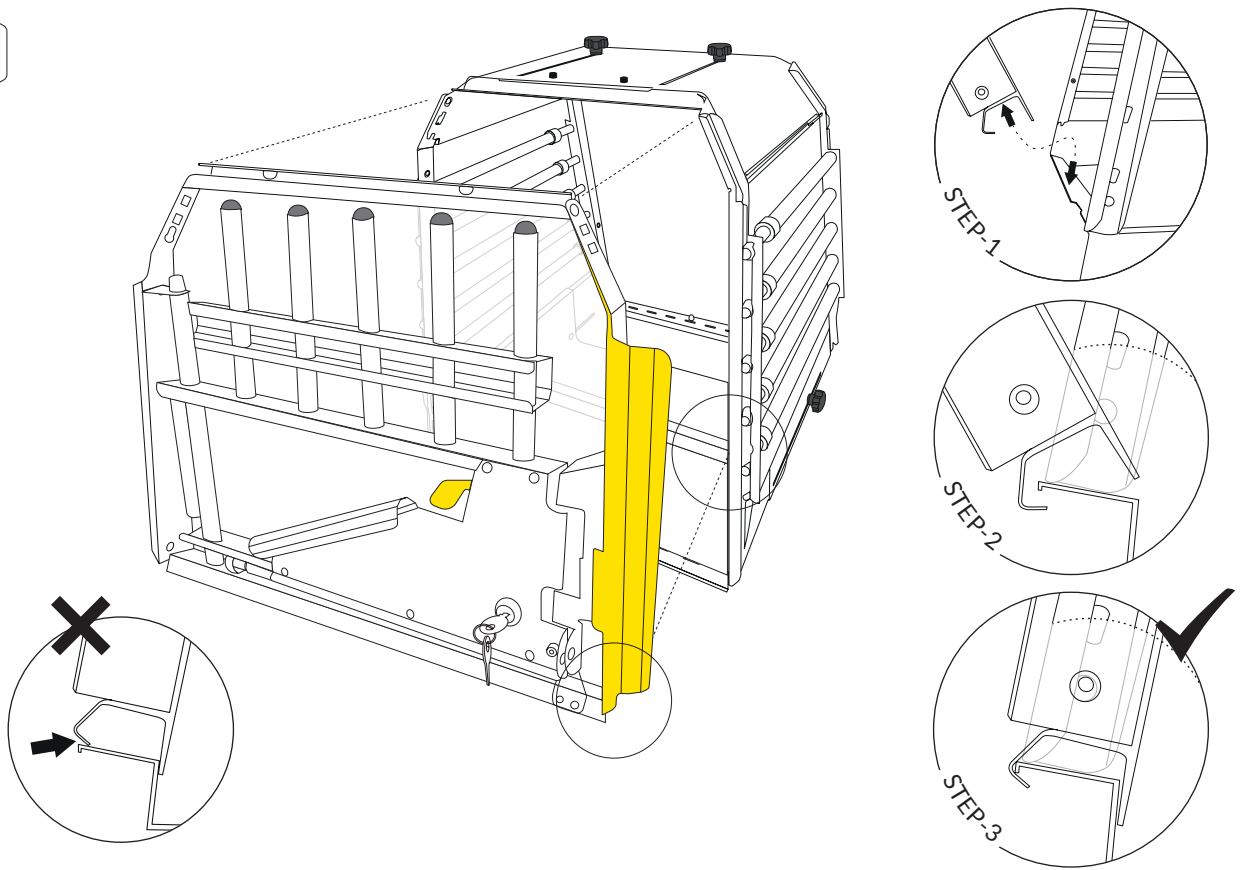
M-R3015M5S 2X	M-B1646,2SLD 2X Ø13mm plastic	M-VBM5X16 2X
		

STEP
13

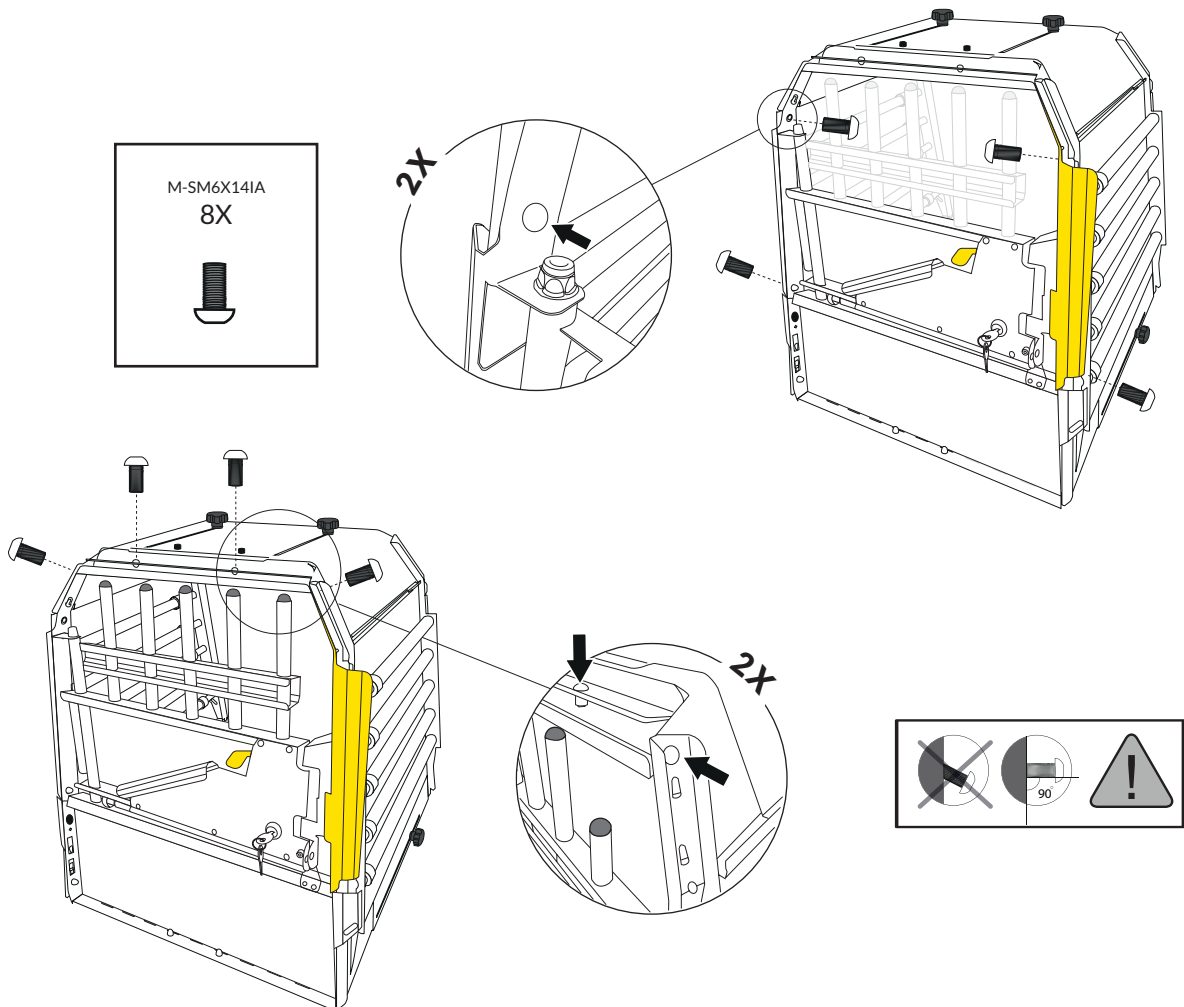
M-SM6X14IA 4X	M-SM6X12 2X
	



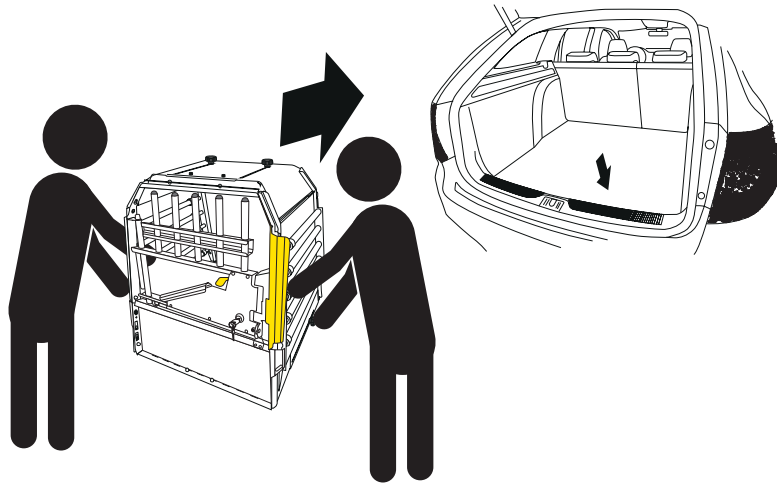
STEP
14



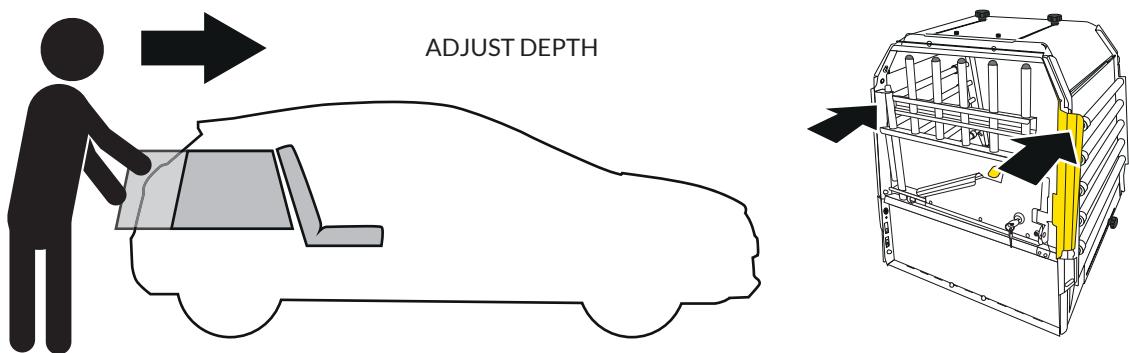
STEP
15



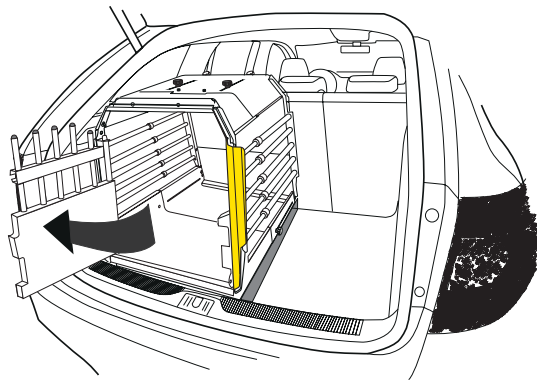
STEP
16



STEP
17

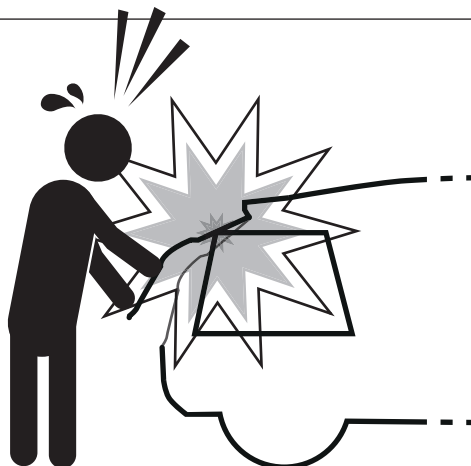


STEP
18

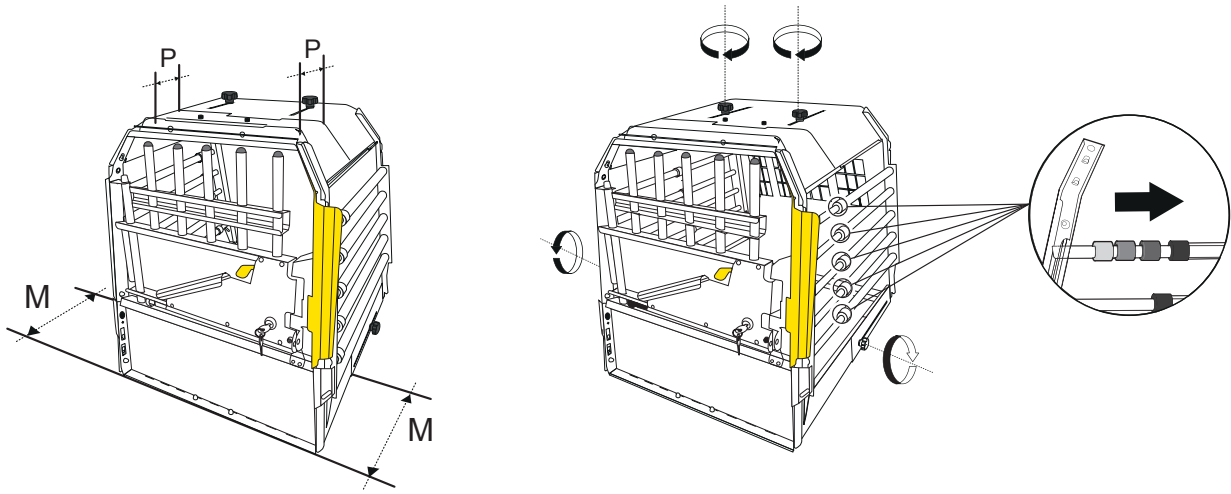


STEP
19

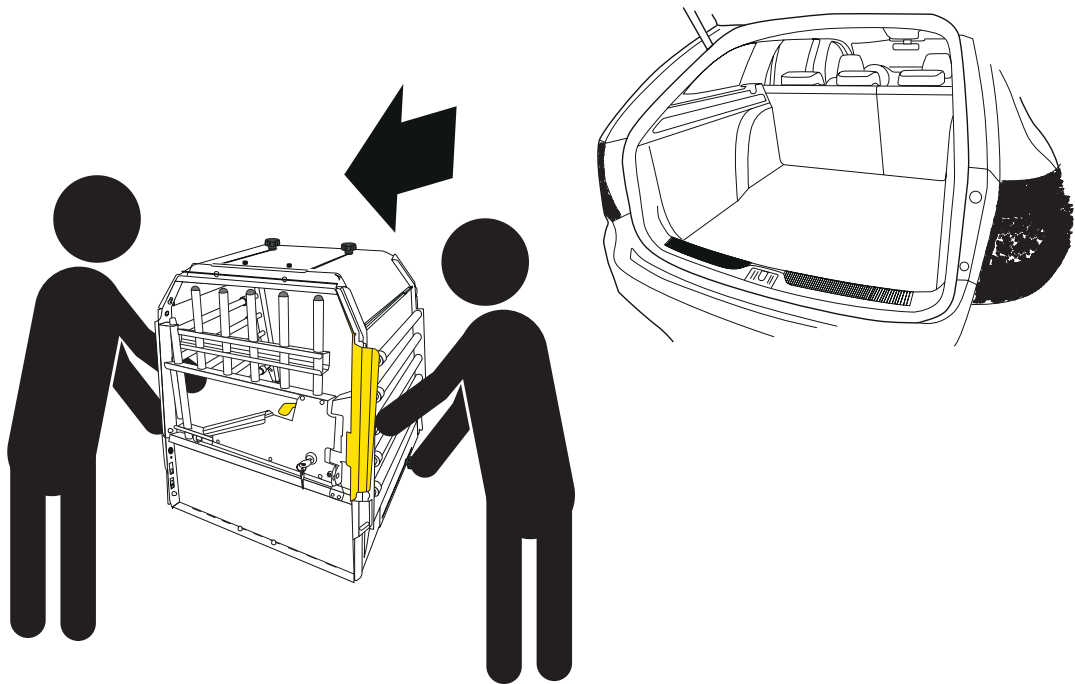
WARNING!



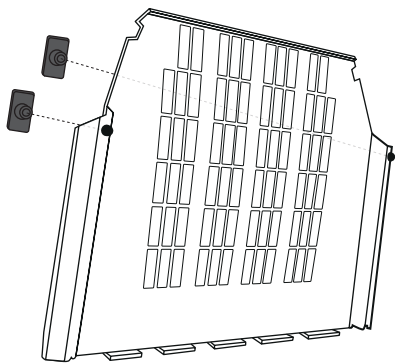
STEP
20



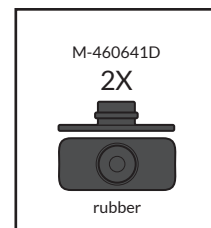
STEP
21



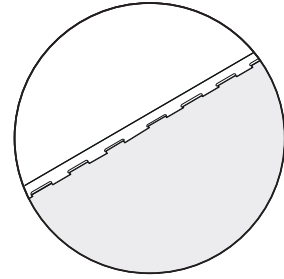
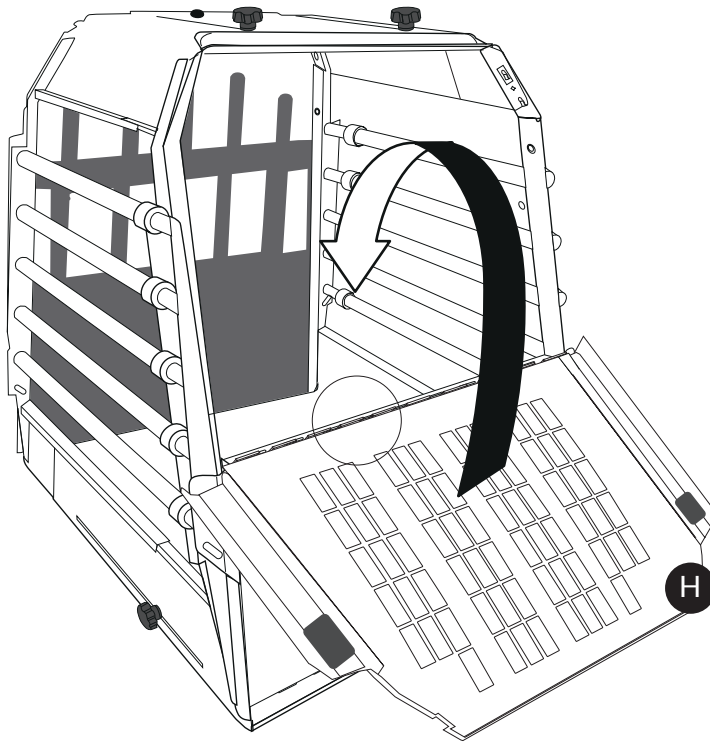
STEP
22



H Escape Hatch

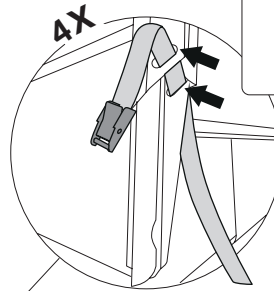
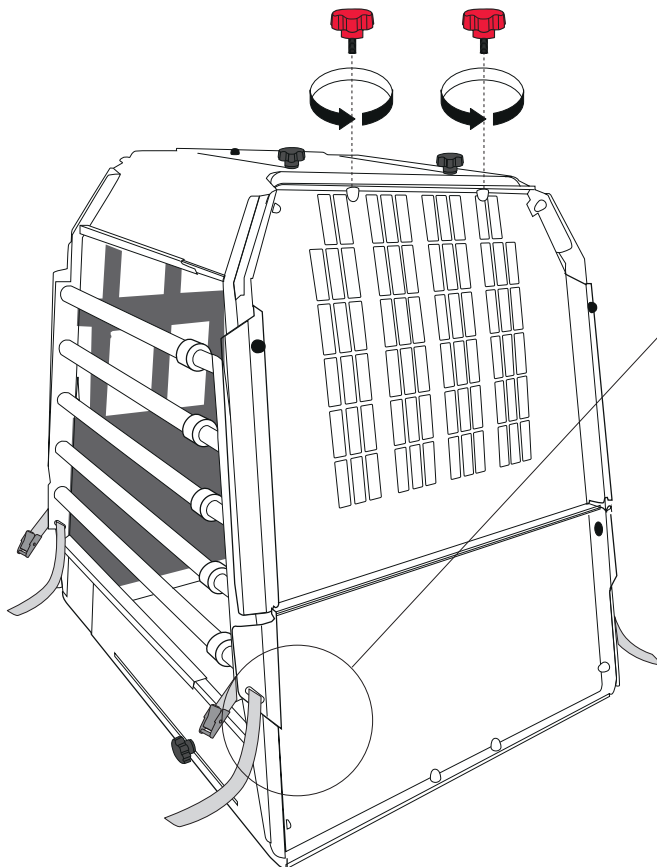


STEP
23





H Escape Hatch

STEP
24

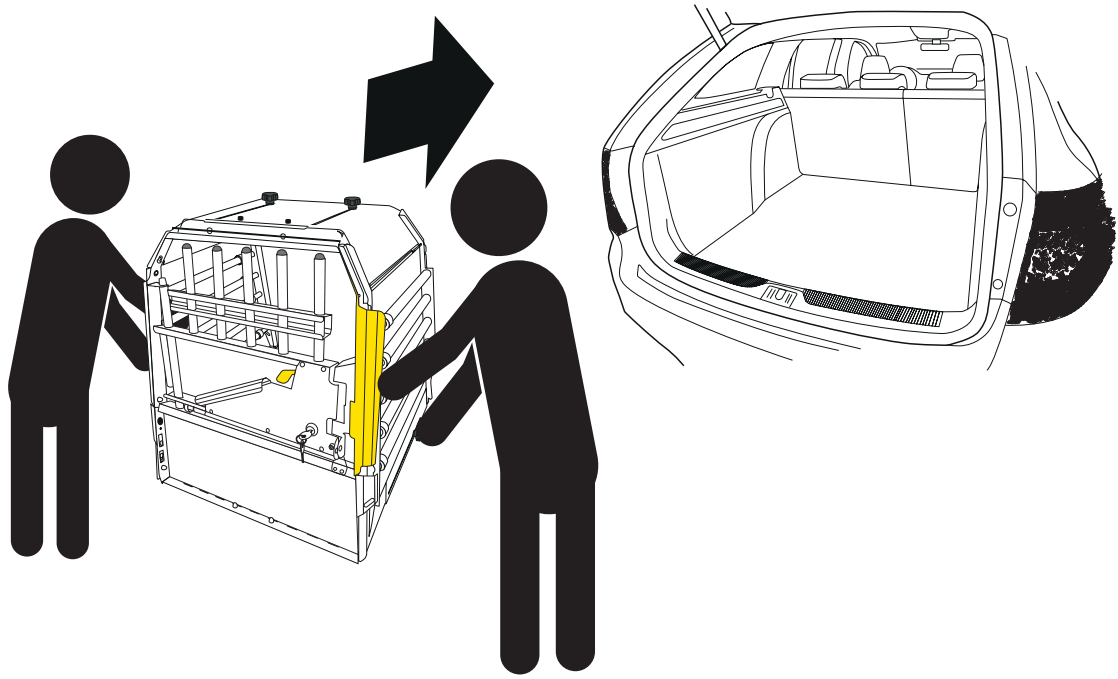


!
IMPORTANT!
The band must go through both plates.

M-460641AQ
2X

red

M-10240
4X


STEP
25



STEP
26

